

RP6401

PARACOPPA - OIL CARTER PROTECTOR - SABOT MOTEUR - SPEZIFISCHER MOTORSCHUTZ - CUBRE CARTER

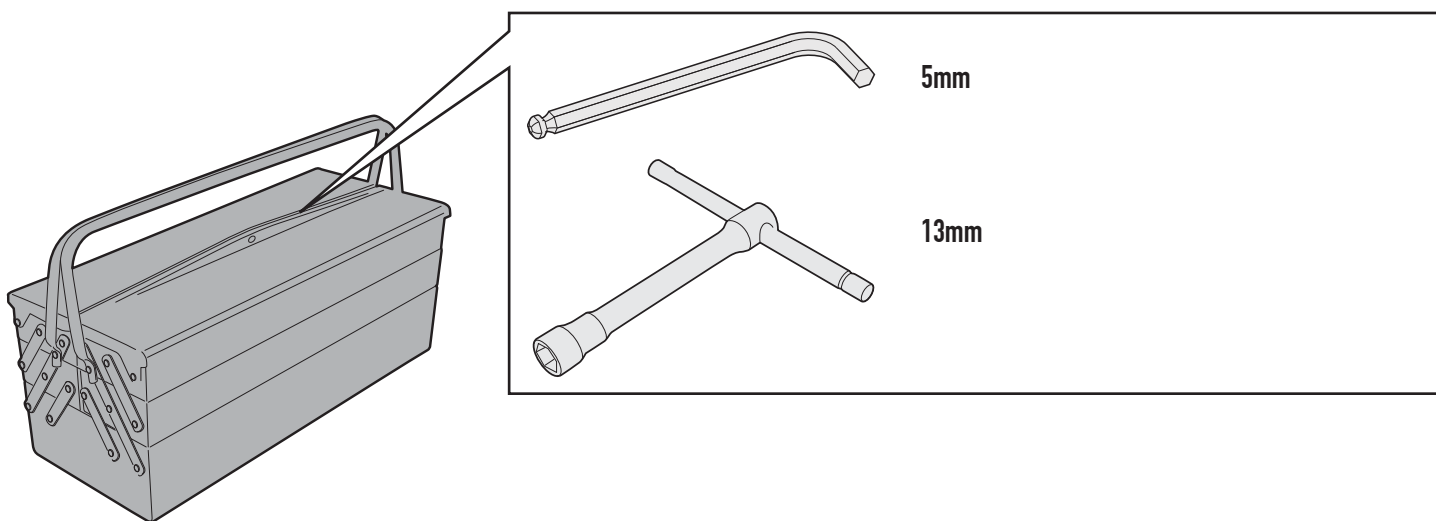
TRIUMPH TIGER 800 - TIGER 800XC (2008-2012)

N°	Descrizione	Caratteristiche	Codice	Quantità	
1	Paracoppa - Oil Carter Protector Sabot Moteur - Spezifischer Motorschutz Cubre Carter - Cobre Carter	-	-	1	
2	Vite - Screw Vis - Schraube Tornillo - Parafuso	TE M8x12	812TE	4	
3	Vite - Screw Vis - Schraube Tornillo - Parafuso	TBEI M8x35 INOX	835TBEIX	2	
4	Distanziale - Spacer Entretoise - Distanzstueck Distanciador - Españador	Ø16x17 Rib. Ø10x10 foro 6.5mm	V591	2	
5	Rondella - Washer Rondelle - Scheibe Arandela - Arruela	Zigrinata Ø8	814RONZ	4	
6	Rondella - Washer Rondelle - Scheibe Arandela - Arruela	Sp. 0,3mm INOX	8RONX	2	
7	Silent Block	30x25	-	4	

RP6401

PARACOPPA - OIL CARTER PROTECTOR - SABOT MOTEUR - SPEZIFISCHER MOTORSCHUTZ - CUBRE CARTER

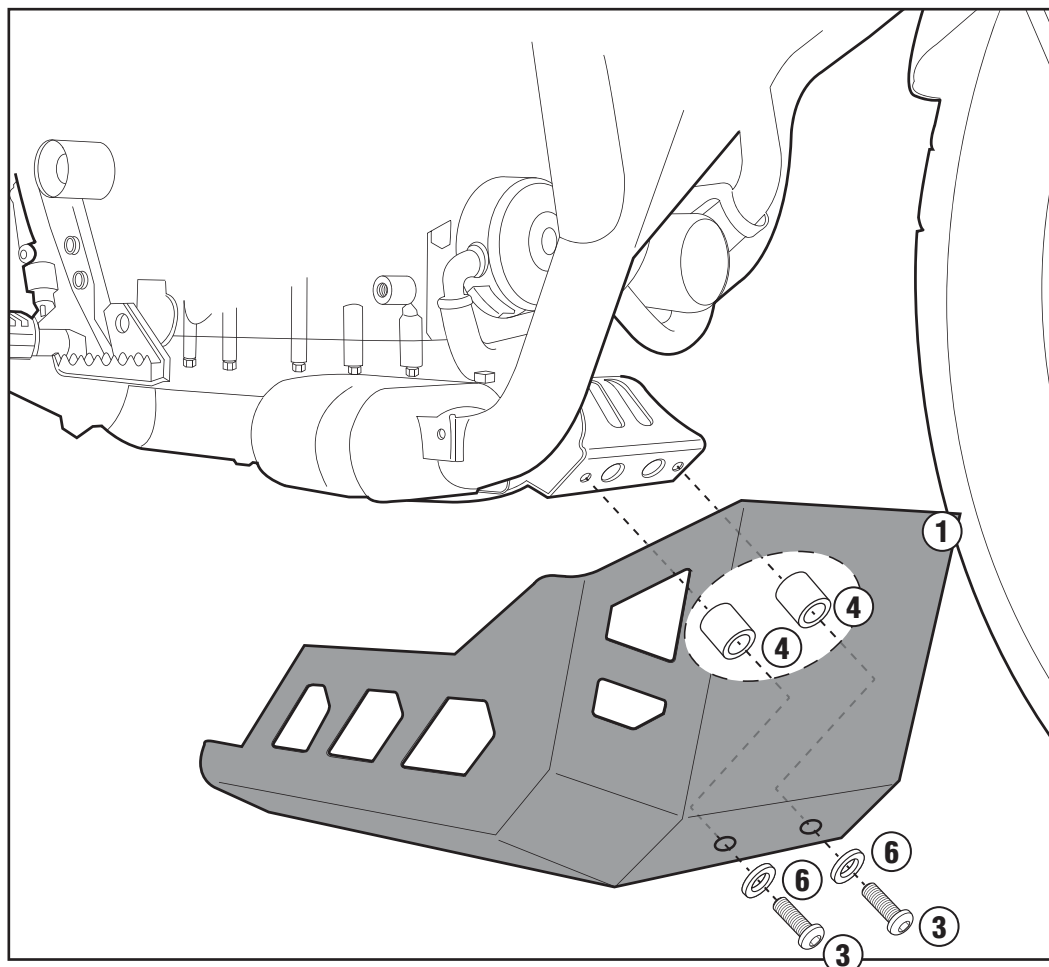
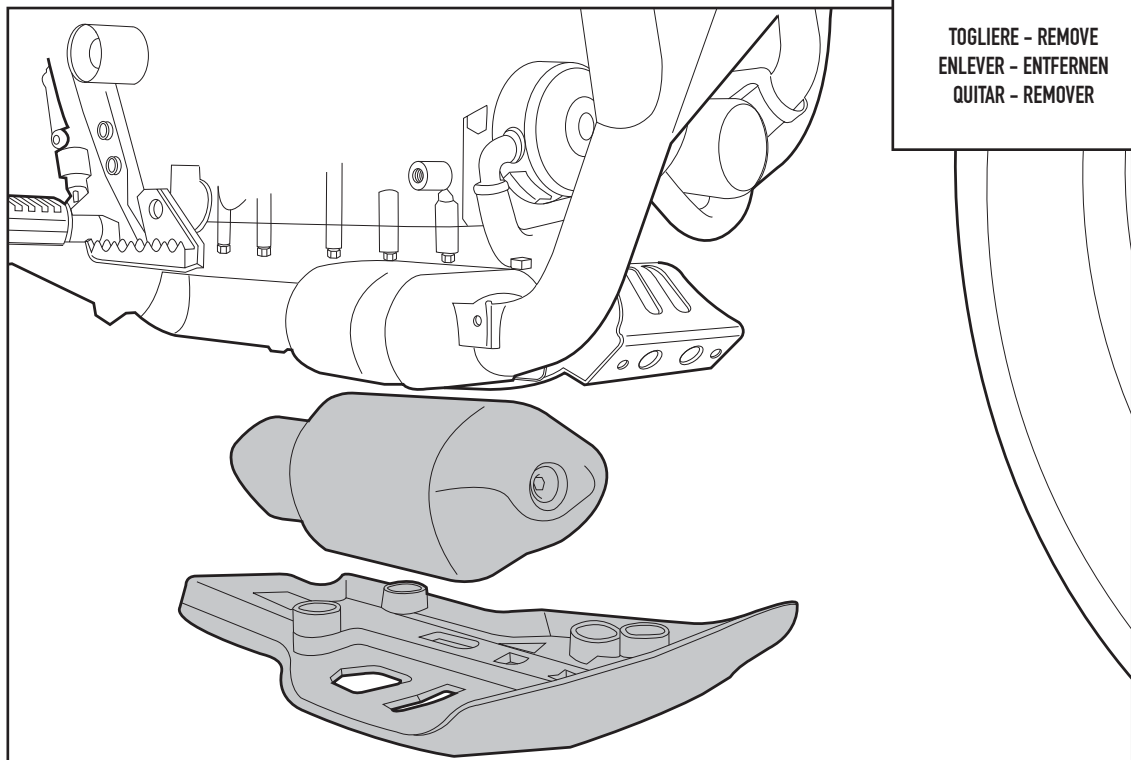
TRIUMPH TIGER 800 - TIGER 800XC (2008-2012)



RP6401

PARACOPPA - OIL CARTER PROTECTOR - SABOT MOTEUR - SPEZIFISCHER MOTORSCHUTZ - CUBRE CARTER

TRIUMPH TIGER 800 - TIGER 800XC (2008-2012)



ISTRUZIONI DI MONTAGGIO - MOUNTING INSTRUCTIONS
INSTRUCTIONS DE MONTAGE - BAUANLEITUNG
INSTRUCCIONES DE MONTAJE - INSTRUÇÕES DE MONTAGEM

RP6401

PARACOPPA - OIL CARTER PROTECTOR - SABOT MOTEUR - SPEZIFISCHER MOTORSCHUTZ - CUBRE CARTER

TRIUMPH TIGER 800 - TIGER 800XC (2008-2012)

