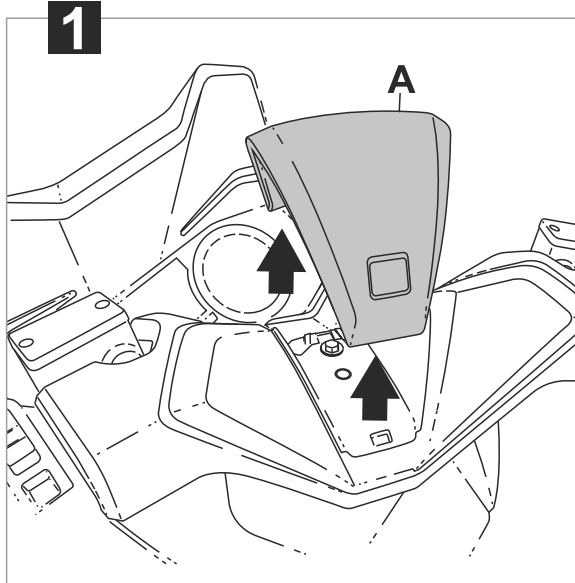


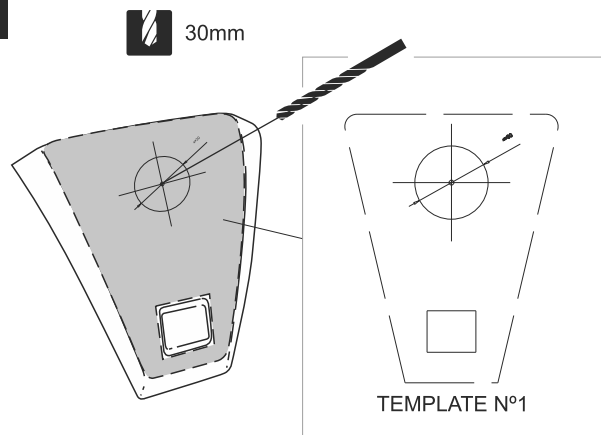
SHAD

HONDA FORZA 125 / 350 '21 - X0SG00M

BCN

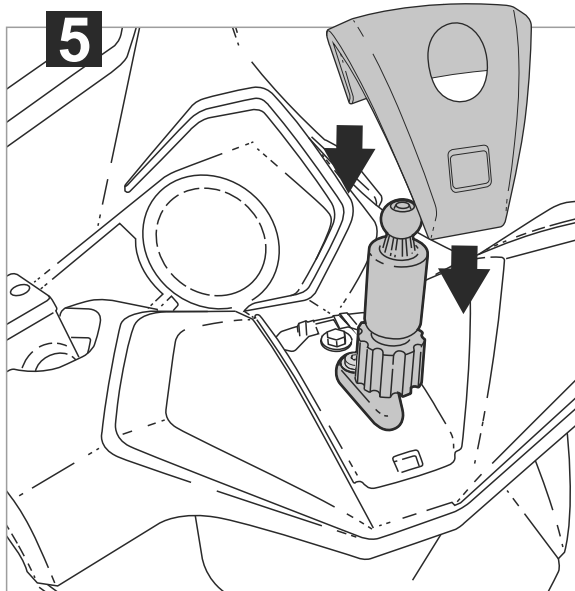
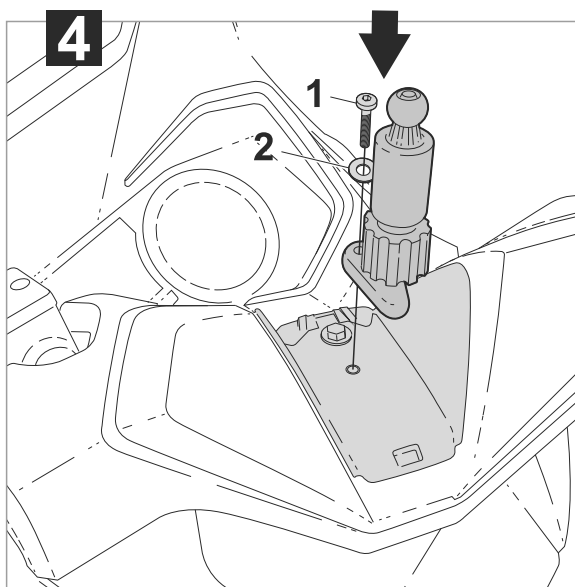
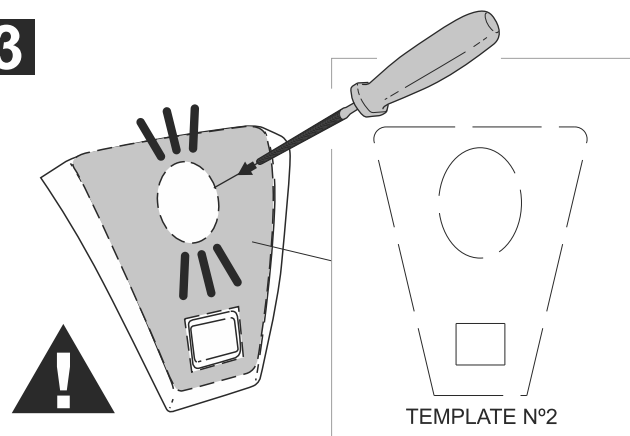


2

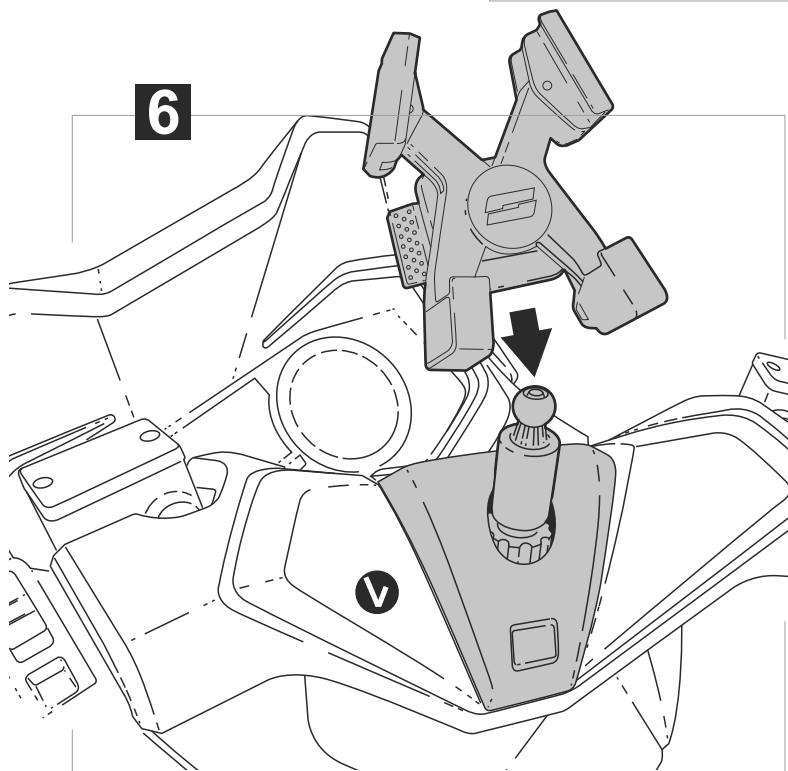


- 1 USE SCREW M6x20 (INDIFFERENT DIN)
- 2 USE WIDE WASHER Ø6.
1-2 (NOT INCLUDED IN THE KIT)

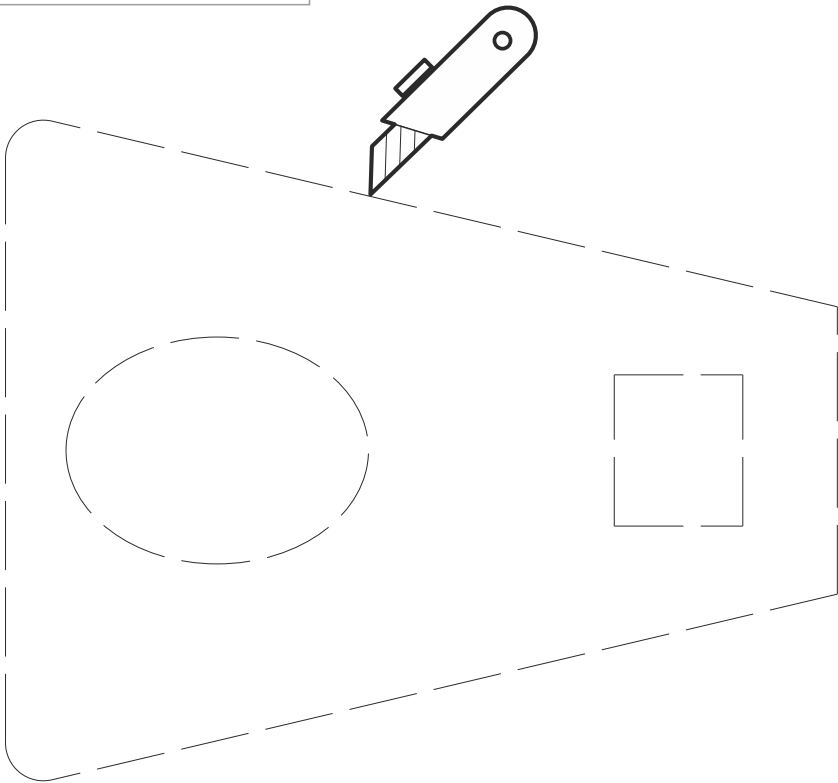
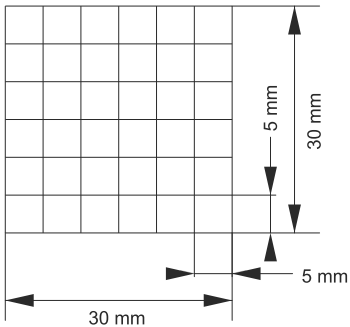
3



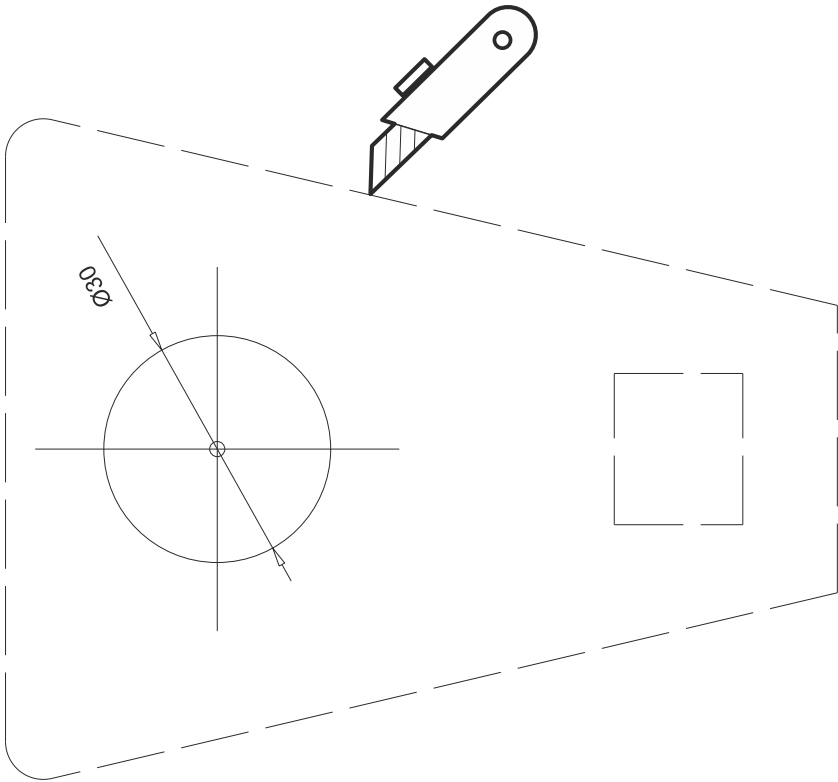
6



TO CHECK CORRECT PRINT SCALE



TEMPLATE N°2



TEMPLATE N°1